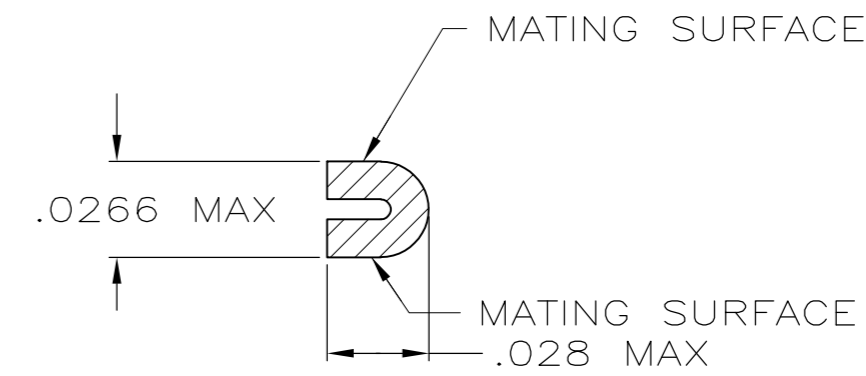
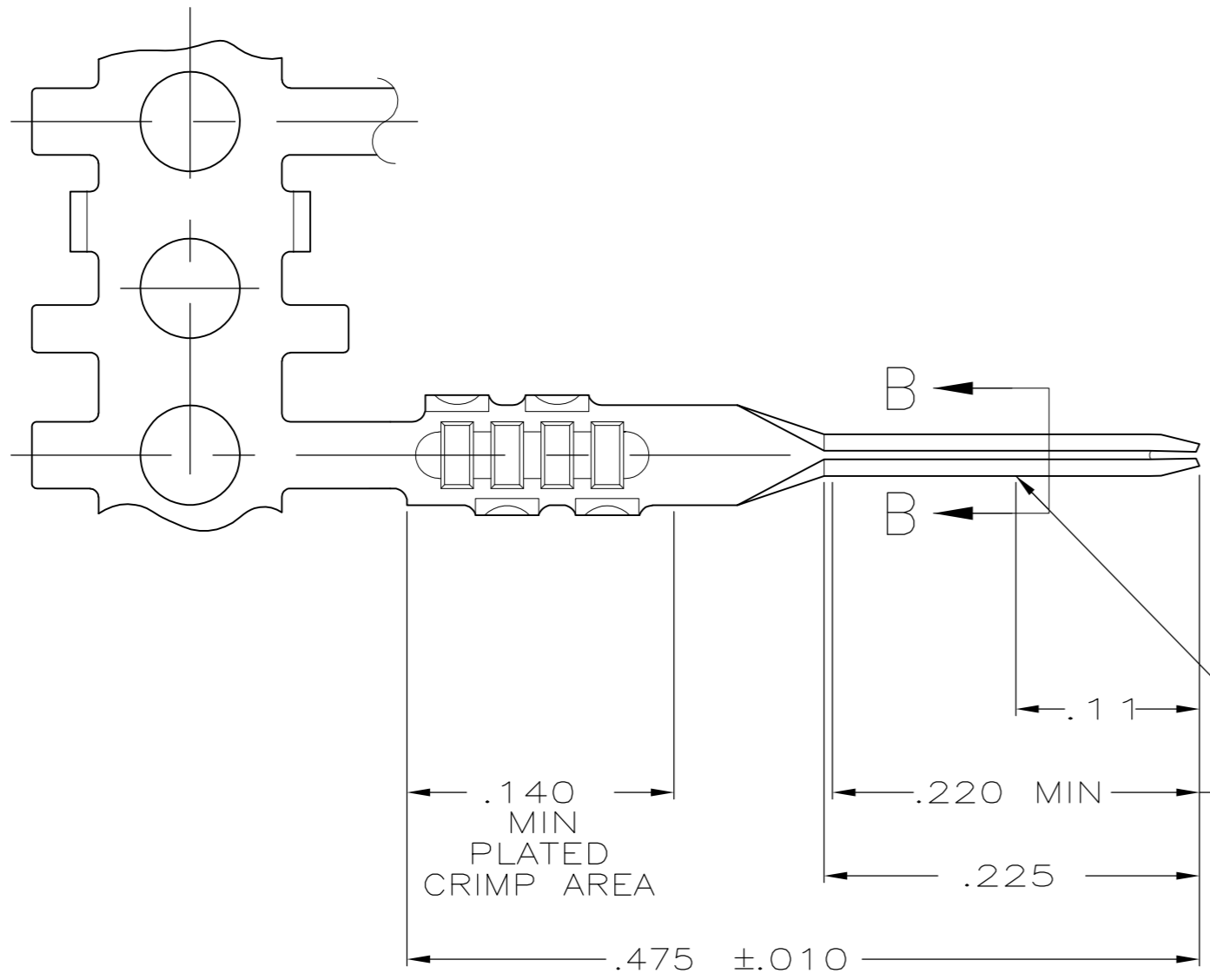
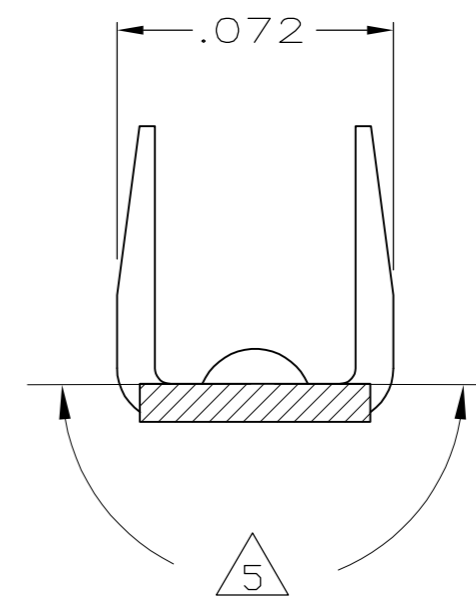
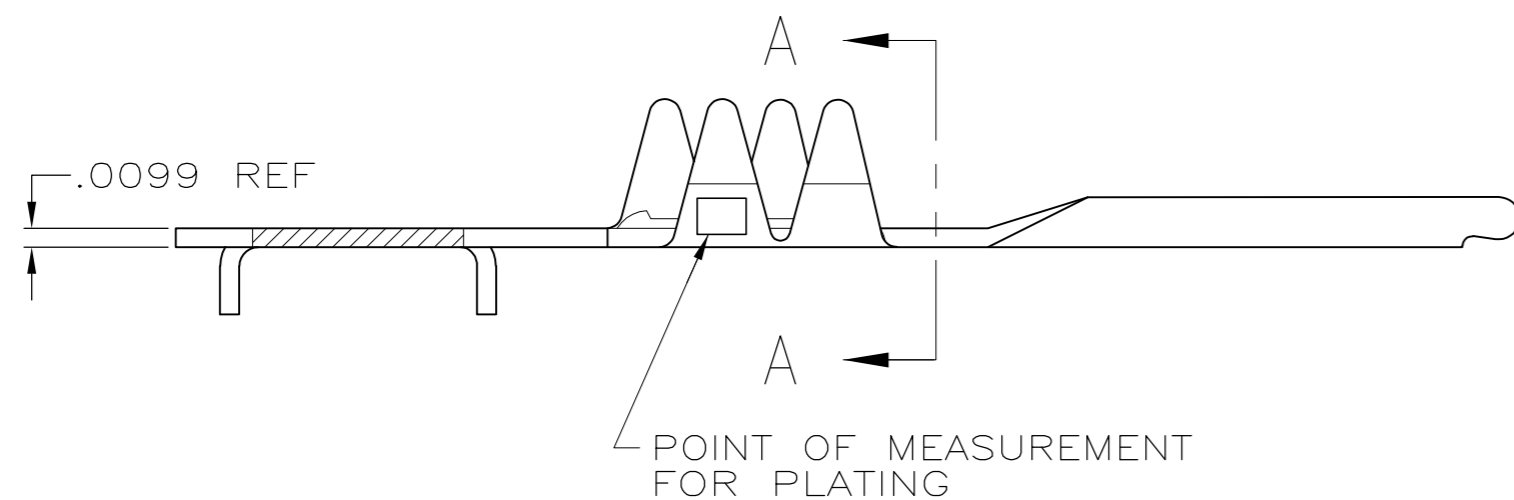


THIS DRAWING IS UNPUBLISHED. RELEASED FOR PUBLICATION  
 © COPYRIGHT - By - ALL RIGHTS RESERVED.

LOC		DIST		REVISIONS			
P	LTR	DESCRIPTION		DATE	DWN	APVD	
GP	00	P2		REVISED PER ECO-12-011709	25JUN12	RW	SY



SECTION B-B



SECTION A-A

- 1 NICKEL UNDERPLATE .000050 MIN THK ON ENTIRE CONTACT WITH GOLD .000015 THK ON LOCALIZED PLATE AREA AND BRIGHT TIN-LEAD .000100 MIN THK IN CRIMP AREA
- 2 BRIGHT TIN-LEAD .000100 MIN THK OVER NICKEL UNDERPLATE .000050 MIN THK ON ENTIRE CONTACT
- 3 GOLD FLASH IN PLATED CRIMP AREA, .00015 MIN GOLD ON LOCALIZED PLATE AREA, BOTH OVER .000050 MIN NICKEL ON ENTIRE CONTACT, -OR- GOLD FLASH OVER PALLADIUM-NICKEL, .000015 MIN TOTAL THK ON LOCALIZED PLATE AREA AND GOLD FLASH ON PLATED CRIMP AREA, BOTH OVER .000050 MIN NICKEL ON ENTIRE CONTACT.
- 4 GOLD FLASH IN PLATED CRIMP AREA, .00100 MIN TIN IN LOCALIZED PLATE AREA, BOTH OVER .000050 MIN NICKEL ON ENTIRE CONTACT.
- 5 GOLD PLATING MAY OR MAY NOT BE PRESENT ON THE BOTTOM OF THE CRIMP BARREL IN THIS AREA.

5	3	88976-5
5	4	88976-4
SUPERSEDED BY 88976-5		1
		2
FINISH		PART NO

THIS DRAWING IS A CONTROLLED DOCUMENT.		DWN	P.BERRY	3-21-86	<b>TE</b> TE Connectivity		
DIMENSIONS: INCHES		CHK	D.WORTHINGTON	3-24-86			
TOLERANCES UNLESS OTHERWISE SPECIFIED:		APVD	R. SMITH	3-25-86	NAME		
0 PLC ± -		PRODUCT SPEC		CONTACT, FFC .100CL, .025 SQ PIN			
1 PLC ± -		APPLICATION SPEC		108-9024			
2 PLC ± .02		MATERIAL		114-16015			
3 PLC ± .005		FINISH		SEE TABLE			
4 PLC ± -		WEIGHT		-			
5 ANGLES ± -		CUSTOMER DRAWING		SCALE NTS SHEET 1 of 1 REV P2			